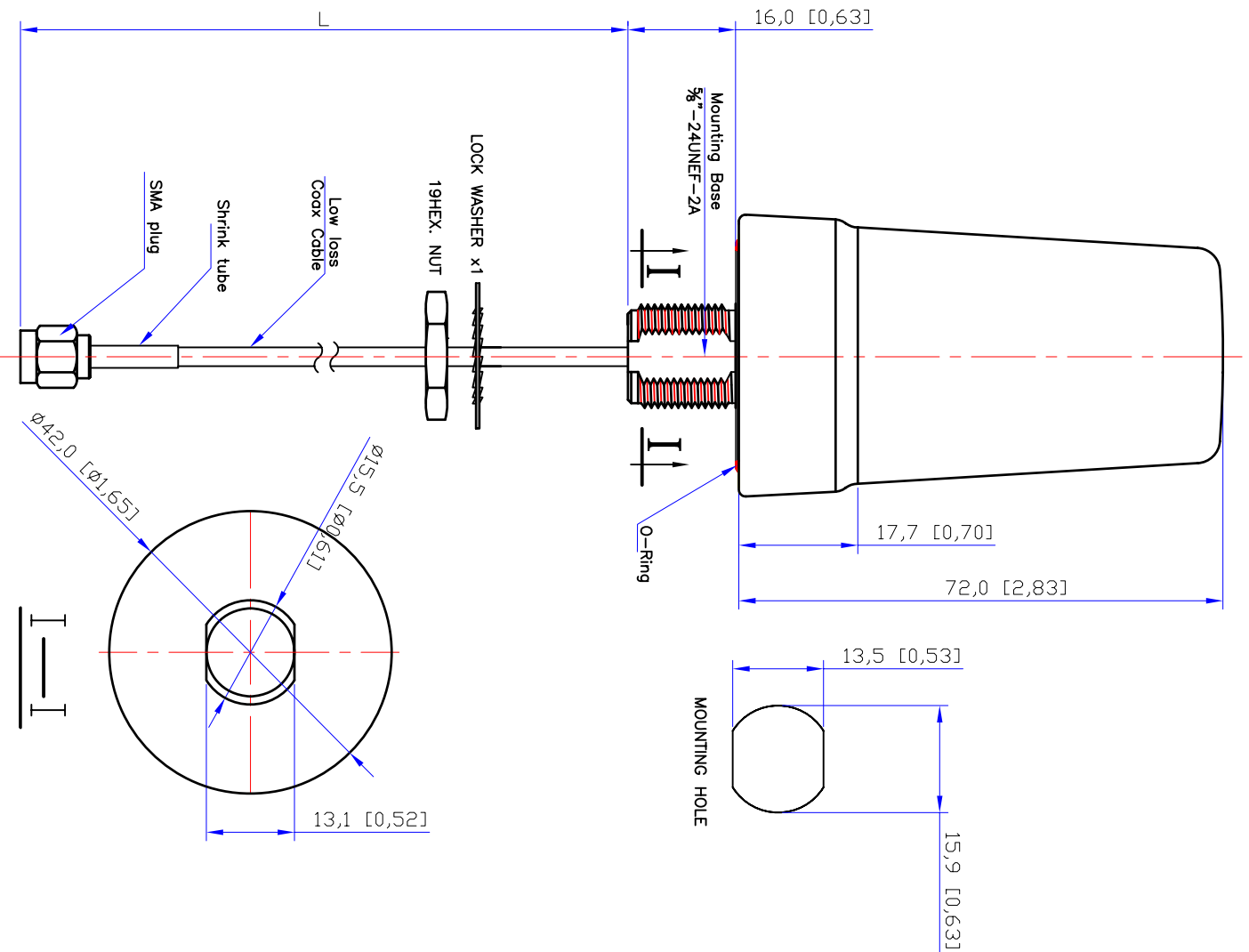


Series Part Numbers

Connector Code _XX_	Description	P / N
AM	SMA Plug	W765FL-L-AM-AGDPU
AH	SMA Plug Reverse Polarity	W765FL-L-AH-AGDPU
MM	MMCX Straight Plug	W765FL-L-MM-AGDPU
RMM	MMCX Right Angle Plug	W765FL-L-RMM-AGDPU



Electrical Properties:

Frequency Range: 824~960 MHz/1710~2170 MHz
 Impedance: 50Ω nominal
 VSWR: <2.0:1
 Gain: 2 dBi
 Radiation: Omni
 Polarization: Vertical

Mechanical Properties:

Cable: Low loss cable J100
 Cable Length: L to be defined in inches
 Connector: XX to be specified by customer
 Material: Polycarbonate(Black)
 Body: Brass with Nickel plating
 Base: Polycarbonate(Black)
 Operation Temp.: -20°C to +65°C
 Storage Temp.: -30°C to +75°C

This is a RoHS compliant product.

TITLE	Multi-Band External Antenna	Rev. Date	SHEET
UNIT	mm(In.)	05/23/07	1 OF 1
SCALE	DWG. NO.	W765FL-L-XX-AGDPU	
none			

NEARSON